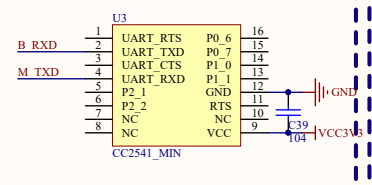
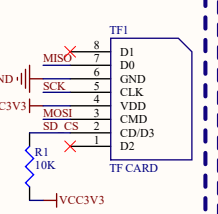


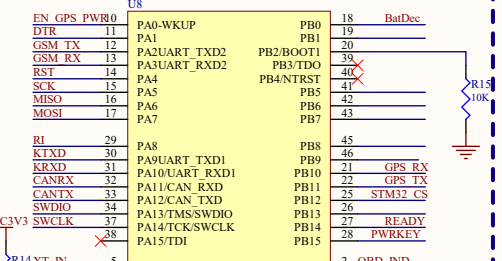
USB2USART



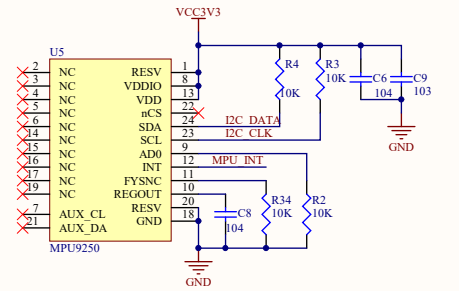
BLEMirco



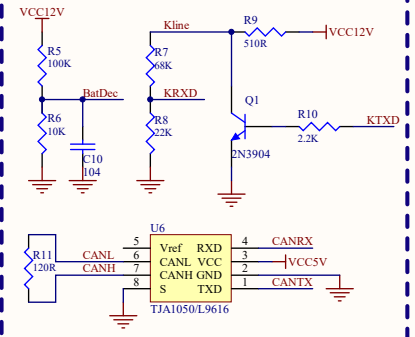
MicroSD



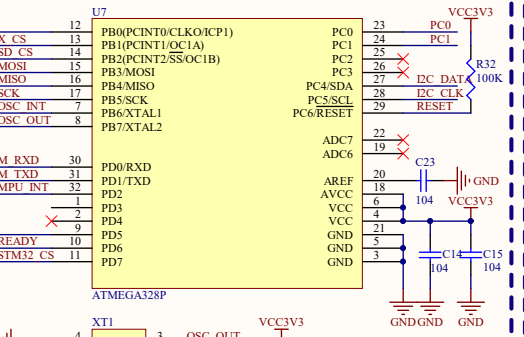
MCU Control_2



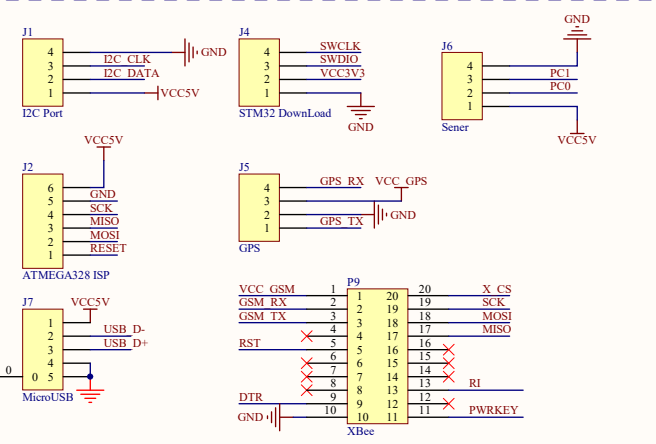
G_Sensor



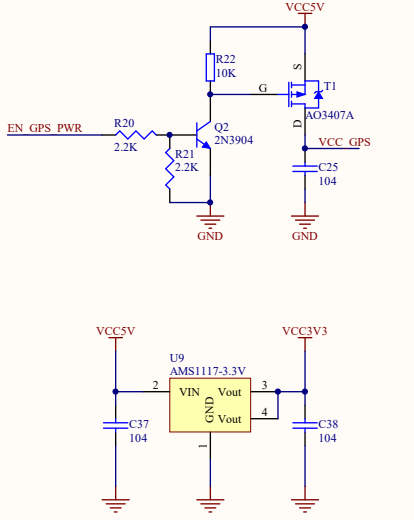
KBUS&CANBUS



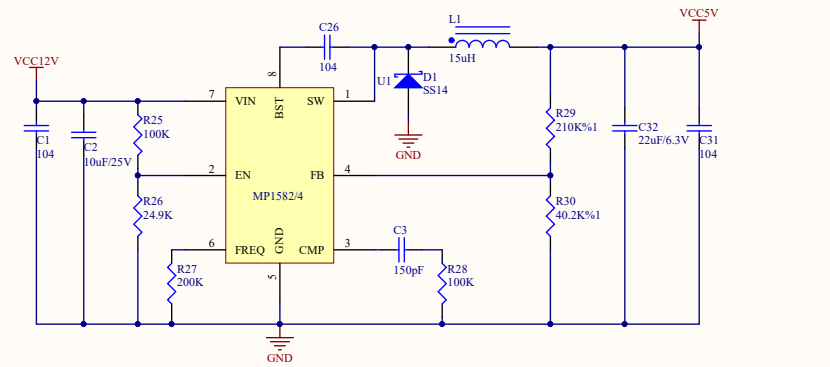
MCU Control_1



Input/Output Port



DC-DC POWER



Title		
Size	Number	Revision
A3		
Date:	2016/12/7	Sheet of
File:	E:\Work\OBD VC.SchDoc	Drawn By: