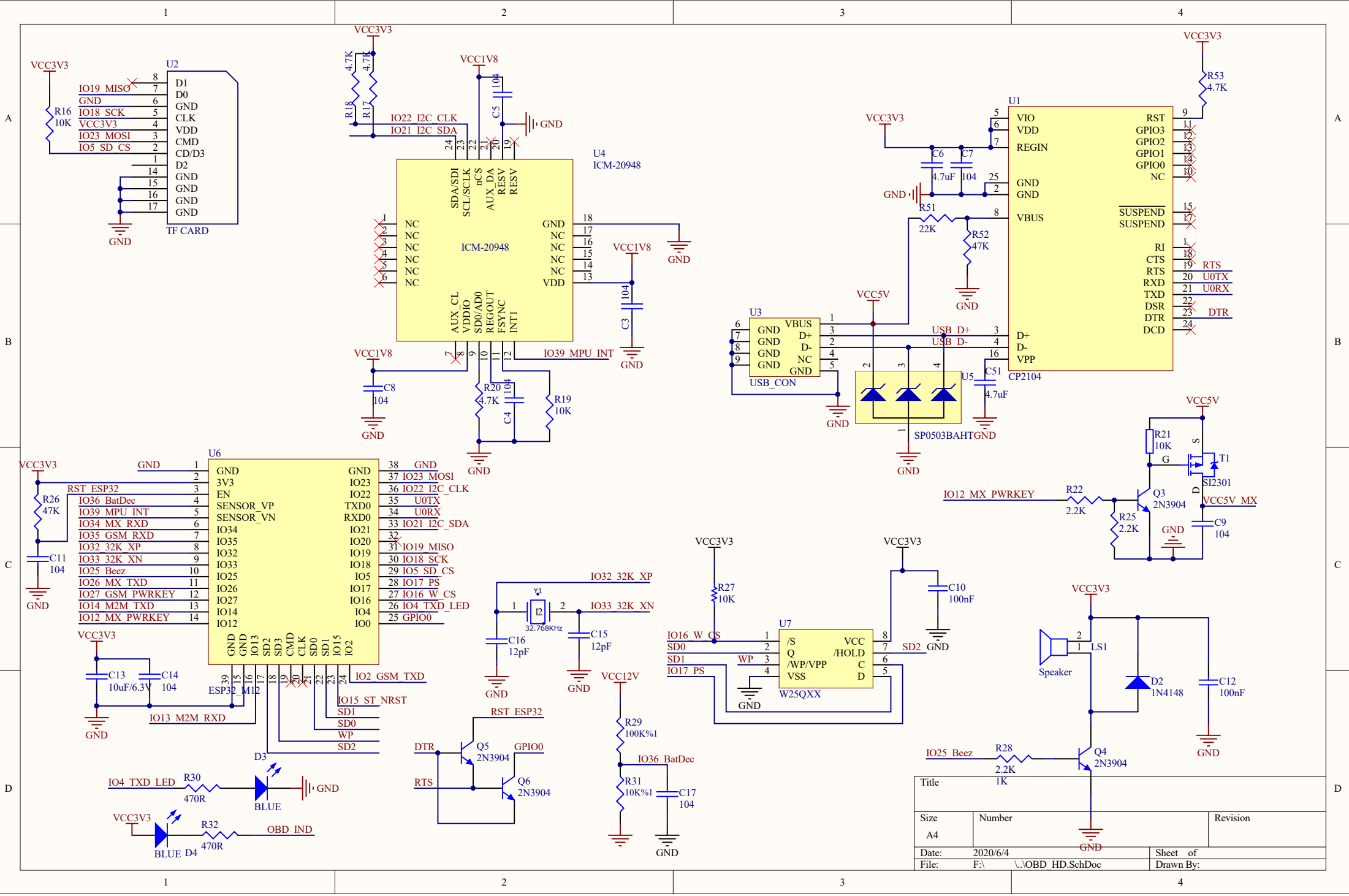
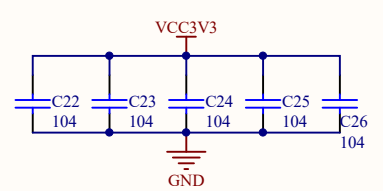
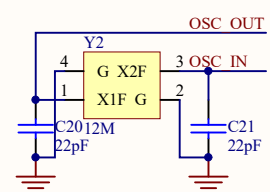
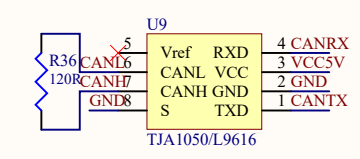
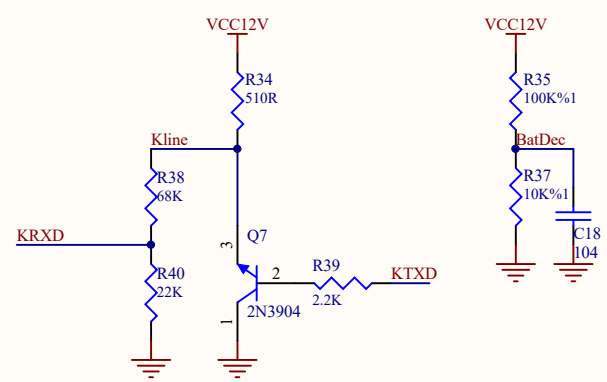
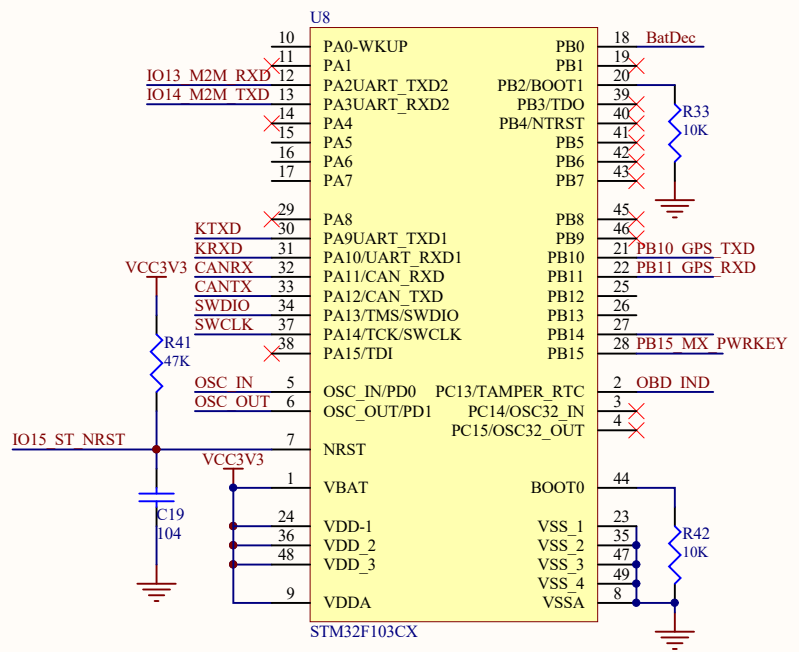


M2M

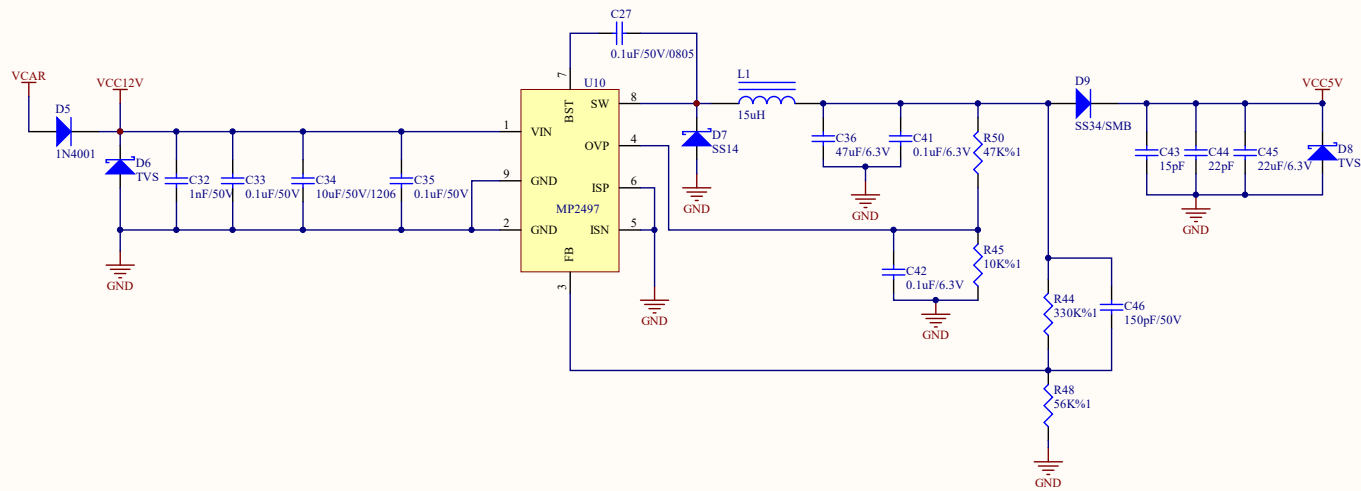
Title		
Size A4	Number	Revision
Date:	2020/6/4	Sheet of
File:	F:\ \.\Connect.SchDoc	Drawn By:



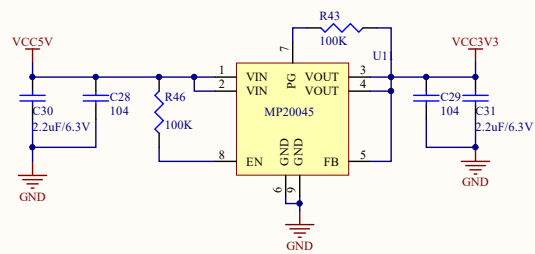
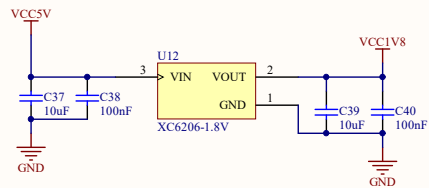
Title			1K		
Size	A4	Number		Revision	
Date:	2020/6/4		Sheet of		
File:	F:\ \OBD HD.SchDoc		Drawn By:		



Title		
Size	Number	Revision
A4		
Date:	2020/6/4	Sheet of
File:	F:\ \ \OBDDII.SchDoc	Drawn By:



DC/DC Power Supply



Title		
Size A3	Number	Revision
Date: 2020/6/4	File: FA	Sheet of U:\Power.SchDoc
	Drawn By:	