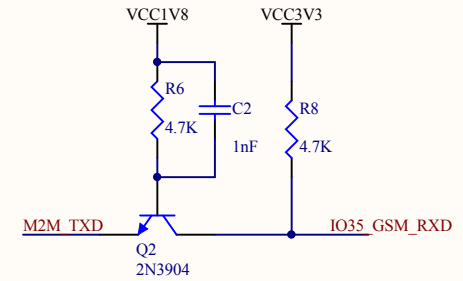
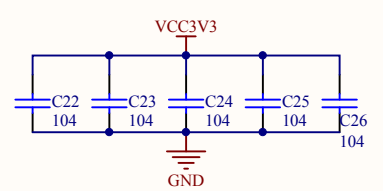
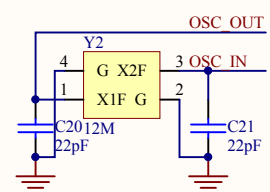
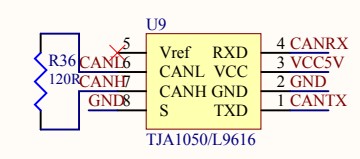
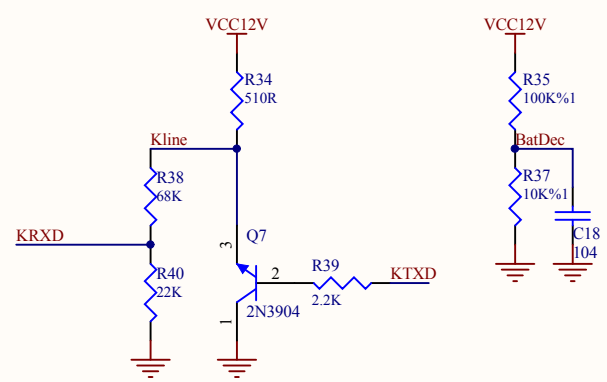
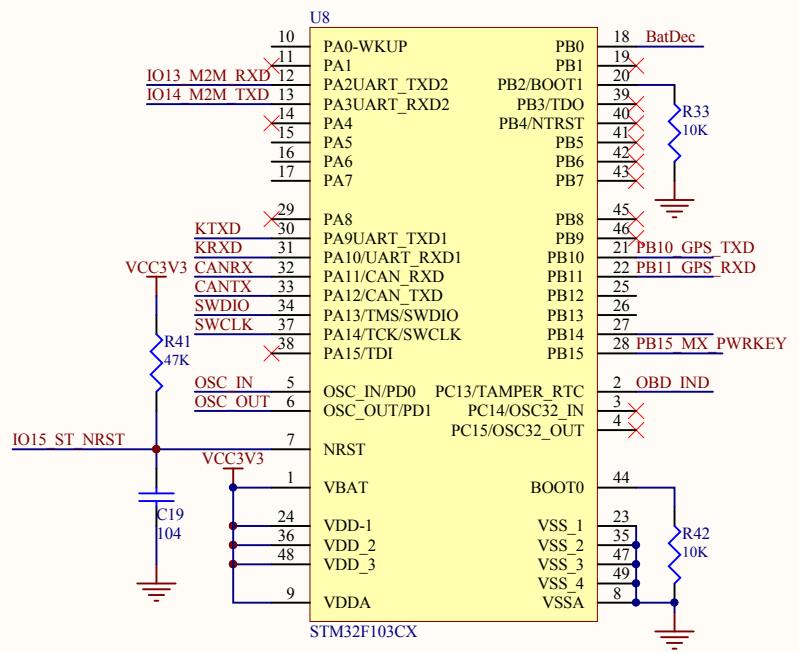


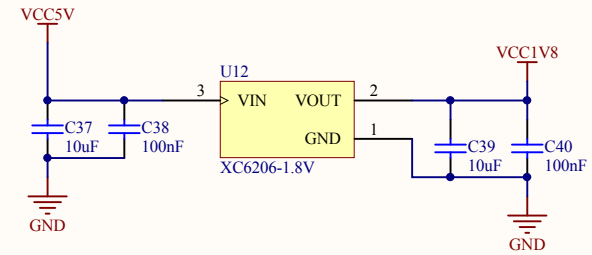
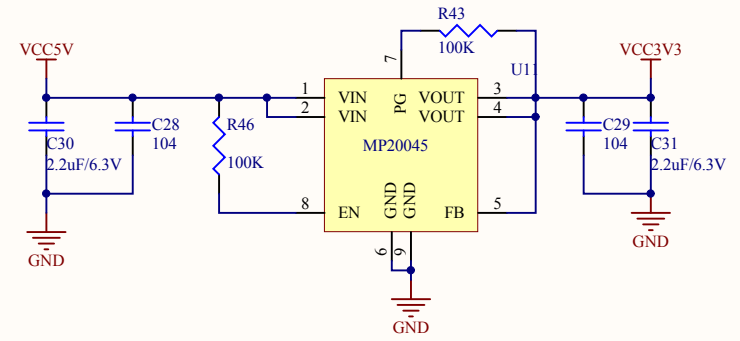
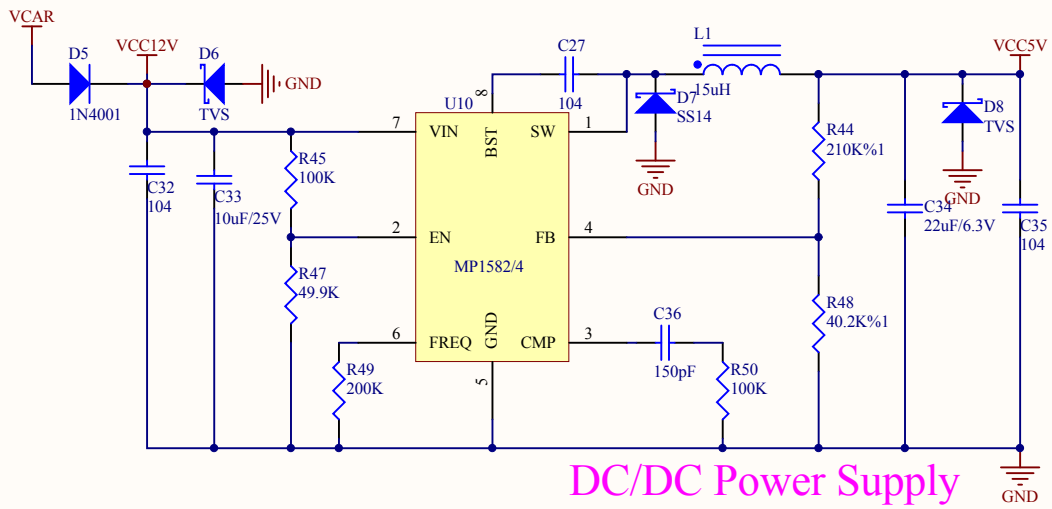
M2M



Title		
Size	Number	Revision
A4		
Date:	2019/6/12	Sheet of
File:	F:\OBD_F3_NEW\Connect.SchDoc	Drawn By:



Title		
Size	Number	Revision
A4		
Date:	2019/6/12	Sheet of
File:	F:\OBD_F3_NEW\OBDII.SchDoc	Drawn By:



Title		
Size	Number	Revision
A4		
Date:	2019/6/12	Sheet of
File:	F:\OBD_F3_NEW\Power.SchDoc	Drawn By: