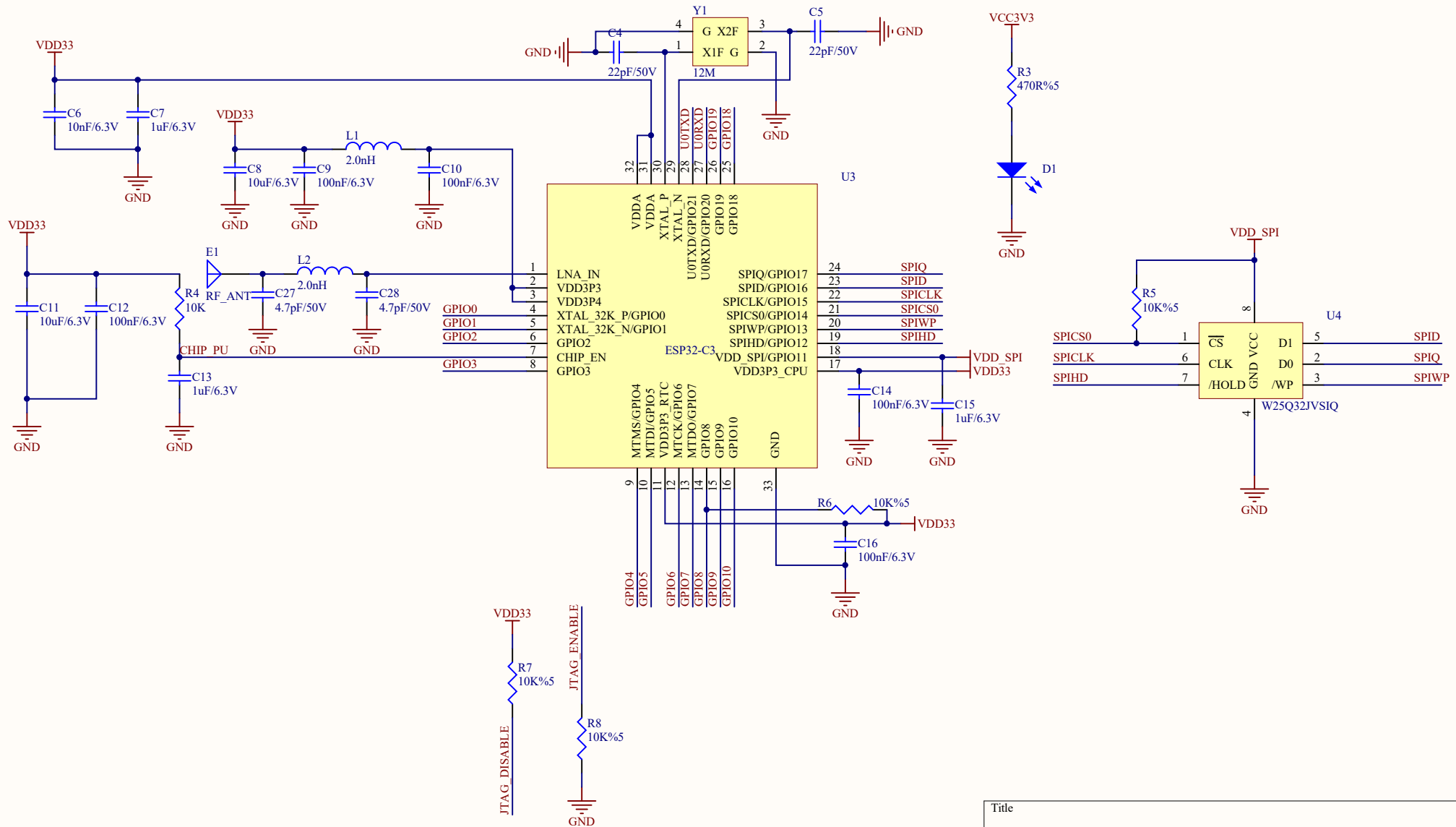
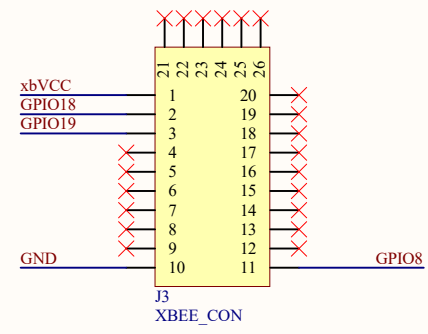
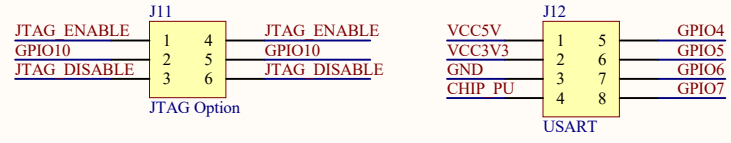
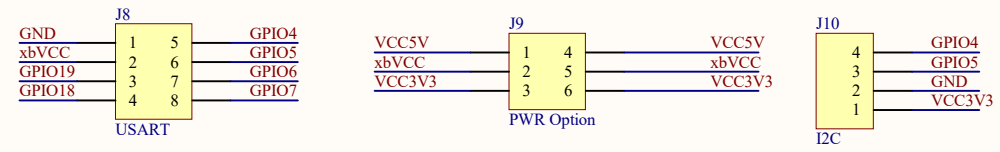
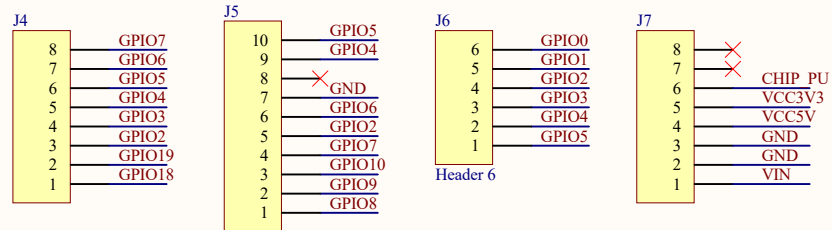


Title		
Size	Number	Revision
A4		
Date:	2021/7/22	Sheet of
File:	F:\ \CH340.SchDoc	Drawn By:

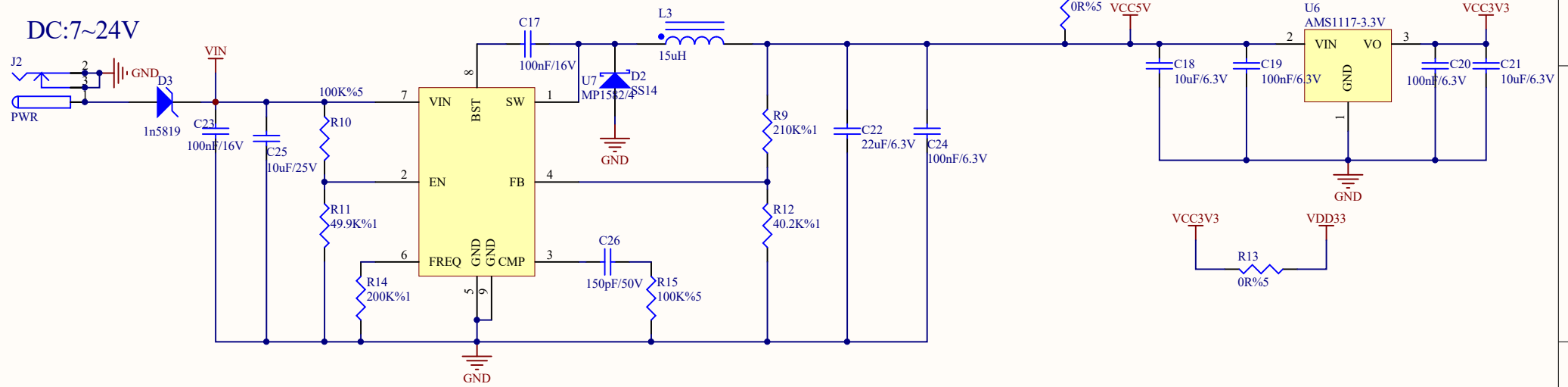


Title		
Size	Number	Revision
A4		
Date:	2021/7/22	Sheet of
File:	F:\ \ESP32_C3.SchDoc	Drawn By:



Title		
Size	Number	Revision
A4	INPUT/OUTPUT Connector	
Date:	2021/7/22	Sheet of
File:	F:\ \.ESP32 DevKit.SchDoc	Drawn By:

DC: 7~24V



Title		
Size A4	Number	Revision
Date: 2021/7/22	Sheet of	
File: F:\...\POWER.SchDoc	Drawn By:	